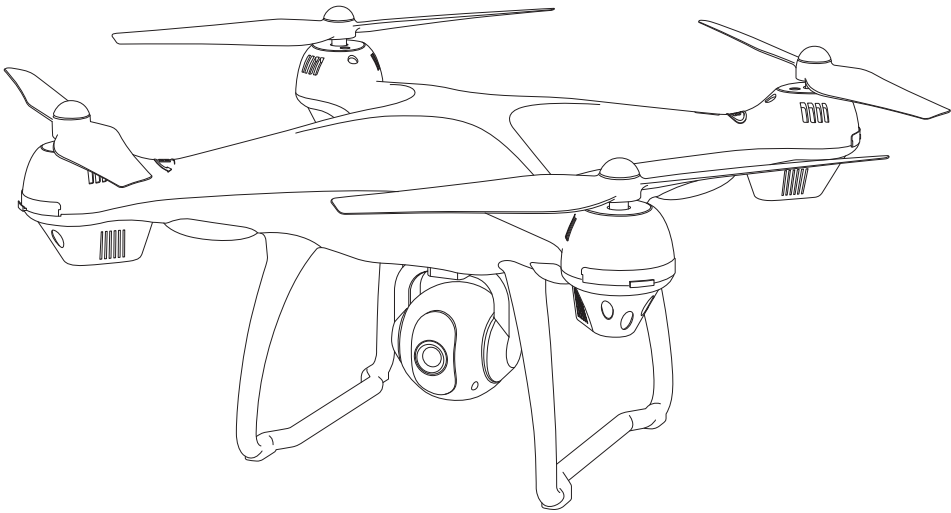




16+
age

INSTRUCTIONS FOR USE

HS100 Navigator (GPS)



usa@holystone.com (America)
ca@holystone.com (Canada)
eu@holystone.com (Europe)
jp@holystone.com (Japan)



+1(855) 888-6699

www.holystone.com

Table of Contents

| | |
|---|-----------|
| Preface | 1 |
| Warnings | 2 |
| Maintenance | 3 |
| Package Contents | 4 |
| Drone and Battery | 6 |
| Assemble the Propeller..... | 7 |
| Assemble the Propeller Guard | 8 |
| Fly Safe Information | 9 |
| Transmitter Functions | 10 |
| Download the Application | 14 |
| Charging the Battery | 14 |
| Prepare for Take off | 15 |
| Safe to Fly with GPS | 16 |
| Compass Calibration | 16 |
| APP Functions | 19 |
| Take-off | 20 |
| Landing/Emergency Stop | 20 |
| Follow Me | 21 |
| Return to Home | 22 |
| Headless Mode | 23 |
| Assemble the Camera | 24 |
| Camera Functions | 25 |
| Replace the Landing Gear | 26 |
| Specifications | 27 |
| Trouble Shooting | 29 |
| Contact Us | 29 |
| General Information | 30 |

To make your experience with this drone as straightforward and convenient as possible, please read this instructions for use carefully before operation. Keep it safe for future reference and to ensure continued, safe and enjoyable use of your drone.

Important Statement

1. This product is not a toy, but a high precision drone that integrates various electronic stability and control mechanisms. This drone requires careful and correct assembly and setup to ensure safe, accident free operation. This equipment should be operated in a safe and controlled manner at all times. Incorrect or dangerous operation may cause damage to the device or property, or cause serious injury to those in the vicinity.
2. This product is suitable for experienced drone pilots over 16 years of age.
3. In case of having difficulties on any aspect of the product, operation or maintenance, please contact your local sales agent or contact customer support here at Holy Stone.

Safety Guidelines

This product is flying camera that offers easy, controllable flight when in good working order, however, there is also a significant risk to property and people if flown irresponsible or within confined spaces. Incorrect assembly or poor control by inexperienced pilots can result in damage to property or harm to people in an accident. Be fully aware of your surroundings when flying and always maintain complete control of the vehicle at all times.

1. Keep Your Distance.

- a. Always fly in locations that are clear of any obstructions, such as buildings, poles, electrical wires, trees and so on.
- b. Never fly above or near other people or spectators.

2. Do not fly in adverse weather conditions.

- a. Keep clear of moisture, fog, ice and excessive wind.
- b. Fly in good weather conditions only.

3. Use and maintain the product according to the instructions for use.

- a. Operate this device legally in accordance with instructions provided and with local laws and regulations.
- b. Always use original parts made by Holy Stone for maintenance and repair.

4. Do not operate the device alone.

- a. If you are a new pilot, seek assistance from an experienced drone pilot as you learn.
- b. Have others around to help you fly at all times.

5. Safety First every time.

- a. Always operate the drone within your limits as a pilot. If you are ill, disoriented, or unsure of how to effectively fly the drone, please seek help to avoid danger, damage or injury.

6. Keep clear of rotation parts.

- a. During operation, the rotors revolve extremely quickly, please avoid contact with the propellers and ensure that foreign objects are kept clear of all moving parts.

7. Avoid exposure to excessive heat.

- a. Due to the numerous material types used in construction, this drone is not suitable for exposure to heat. Please keep your device away from heat sources and avoid prolonged exposure to direct sunlight. High temperatures can distort the structure of the device, please check for suck damage before flying.

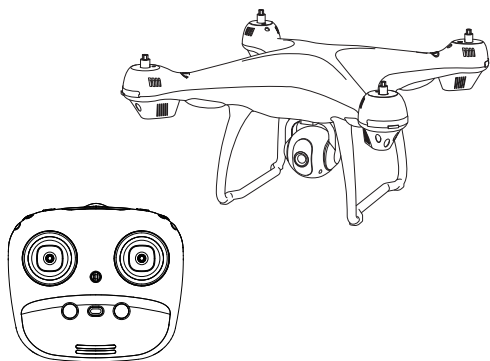
<WARNINGS>

1. The information and guidance within this package and instructions for use is important for the safe operation and maintenance of your drone. Please keep it safe for future reference.
2. You accept sole responsibility for any injury, loss or damage that result from your operation of the device.
3. Always follow the instructions when assembling or operating the drone. Always keep at least 6 feet between the user or viewers and the model to avoid risk of injury. Pay attention to the device at all times while in flight.
4. Neither Holy Stone nor any distributors or agents accept any responsibility for loss, injury or damage caused by incorrect operation of the drone.
5. This drone is not suitable for children under the age of 16. Younger pilots should always operate the drone under the supervision of an adult.
6. Please ensure assembly instructions are followed correctly to ensure proper operation and performance of your drone.
7. This product contains small parts. To avoid any choking hazard, please keep this drone and all its components out of the reach of children.
8. You must not, under any circumstances, fly this drone over open water or near any public road which will increase the risks of accidents.
9. Keep all packaging materials away from children and dispose them safely.
10. The internals of the drone are not user serviceable, please do not attempt to disassemble this drone or replace any part of the drone, In order to avoid malfunctions during flight.
11. Please ensure batteries are fitted in the correct orientation as shown in these instructions.
12. You can access the transmitter battery compartment by unscrewing the screws on the battery cover. Insert batteries ensuring they are in the right orientation. Always replace battery cover and tighten the screw to secure before use.
13. Only use the charger provided with your drone for safety.
14. The charger is not a toy.
15. Dispose of used batteries carefully, do not litter.
16. The power socket must not be removed from this drone. Do not attempt to short-circuit the connection socket.
17. When disposing of batteries, do not throw them into fire and leave them decomposed. Keep clear of heat sources and high temperatures at all time.
18. If the device is not going to be used for an extended period, remove batteries to prevent potential damage from battery leakage.
19. Care should be taken to keep your drone away from sources of magnetic interference of other electrical equipment to prevent signal issues during operation.
20. Keep clear of rotating parts and beware of loose clothing that could become entangled in the rotors causing injury.
21. Beware of the noise volume the drone produces. Keep your distance to avoid ear damage.
22. The charger socket uses a mini USB 5V connection.
23. Always use the product in compliance with local aviation radio rules and comply with local authorities should they require you to refrain from operating at any time.

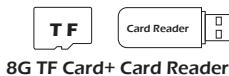
<MAINTENANCE>

1. Clear the product after each use with a clean, soft cloth.
2. Avoid prolonged exposure to direct sunlight and avoid heat buildup in the drone.
3. This device is not waterproof and must not be submerged in water under any circumstance. Failure to maintain the device completely dry will result in the failure of the unit.
4. Check the charging plug and other accessories for signs of damage frequently. If any part of the device is damaged refrain from flying until maintenance can be carried out .

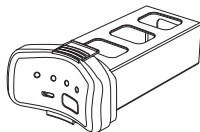
Package Contents



HS100 DRONE with Camera



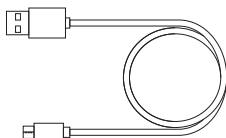
8G TF Card+ Card Reader



Battery x 1



Propeller X 8



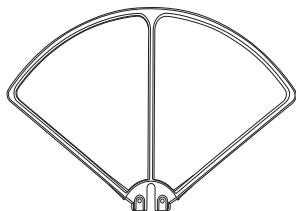
USB Charging Cable



**Landing Gear
X 2**



Screw driver X 1



Propeller Guard X 6

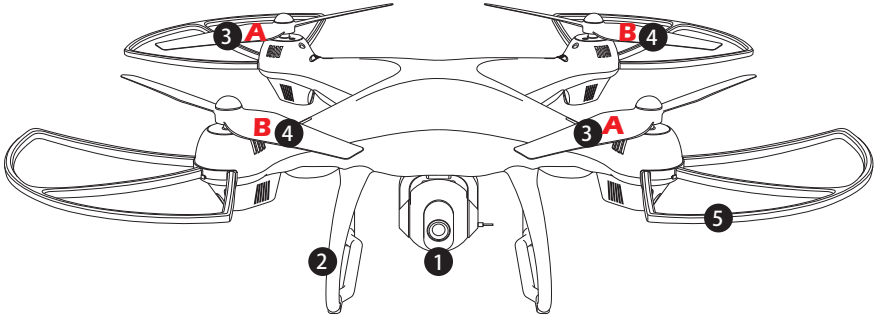


Screw X16



Cap X 8

Drone

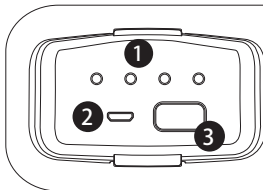
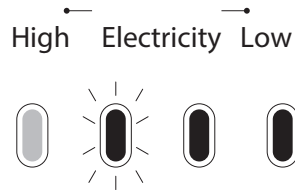
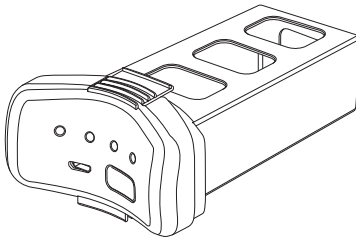


1. HD Camera
2. Landing Gear

3. Propeller "A"
4. Propeller "B"

5. Propeller Guard

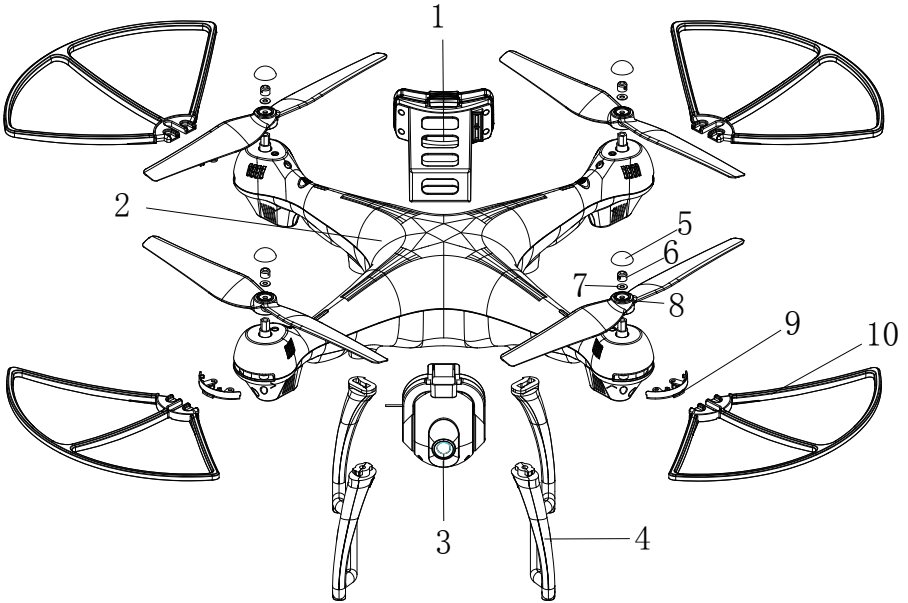
Battery of Drone



1. Battery Level Indicators
2. Micro USB Charging Port
3. Power Switch

Press the Power Switch shortly to turn on; hold the Power Switch 2 seconds to turn off.

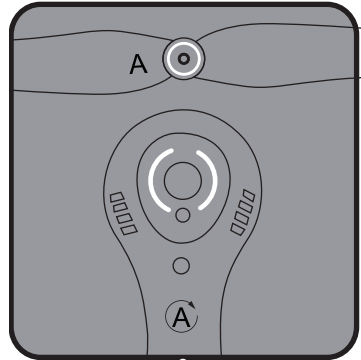
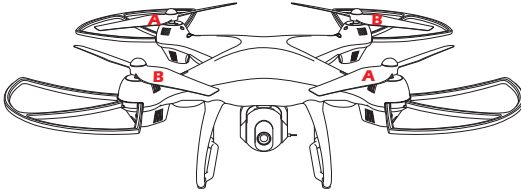
Parts Details



| | |
|-----------------|---------------------|
| 1. Battery | 6. Fixed Ring |
| 2. Body Frame | 7. Spacer Ring |
| 3. Camera | 8. Propeller |
| 4. Landing Gear | 9. Dust Cover |
| 5. Cap | 10. Propeller Guard |

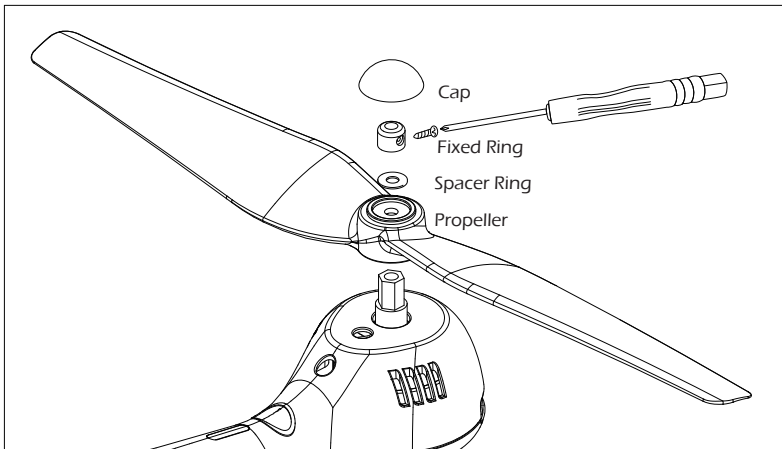
Assemble the Propeller

Please note that the letter “A ” or “ B ” is printed on each propeller, and make sure all the propellers are attached in the correct motor position.



Attach the propellers with the ring mark to the motor cover with ring marks.

Replace and Attach the Propellers

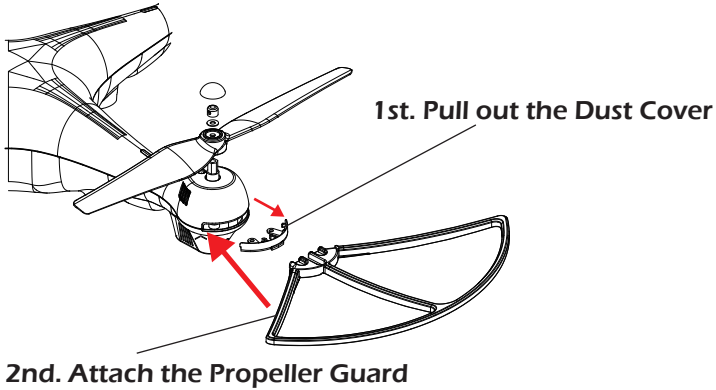


1. Remove Propeller Cap.
2. Unscrew the small screw.
3. Pull out the Fixed Ring and Spacer Ring, then pull out the propeller.
4. Attach the correct propeller.

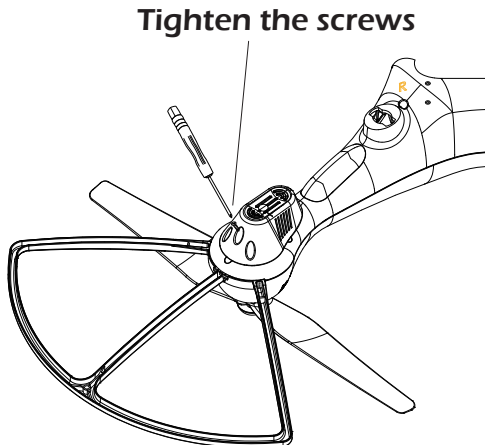
Assemble the Propeller Guard

To prevent accidents or injuries, we suggest the pilot to install the propeller guards.

- 1) Take out the Dust Cover from the motor cover.
- 2) Attach the Propeller Guard to the motor cover.



- 3) Tighten the screws under the motor cover.



Fly Safe



+



+



+

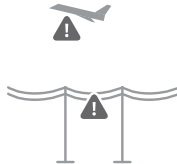


Fly in Open Areas

Strong GPS Signal

Maintain Line of Sight

Fly Below 400 feet (120 m)

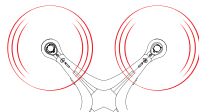


Avoid flying over or near obstacles, crowds, high voltage power lines, trees, airport or bodies of water.

DO NOT fly near strong electromagnetic sources such as power lines and base stations as it may affect the onboard compass.



DO NOT use the drone in adverse weather conditions such as rain, snow, fog and wind speeds exceeding 10 m/s or 22 mph.



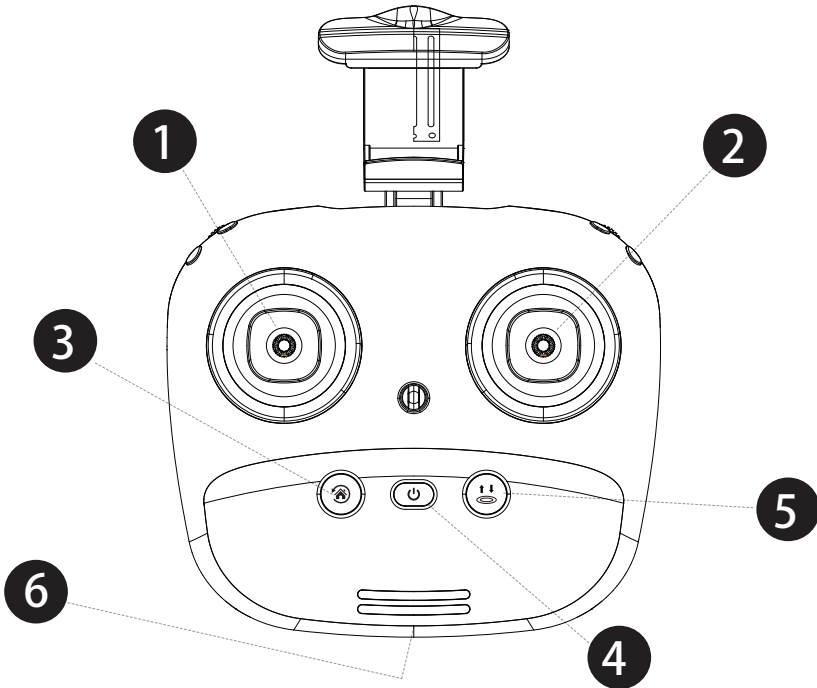
No Fly Zone

Stay away from the rotating propellers and motors.

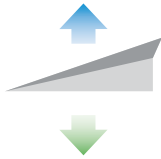
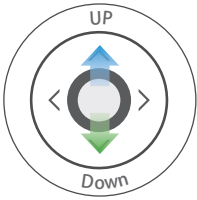


It's important to understand basic flight guidelines, for the safety of both you and those around you. Don't forget to read the Safety Guidelines before flight.

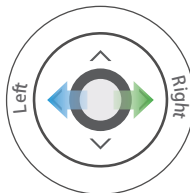
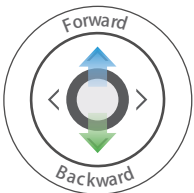
Transmitter Functions



1 Throttle Joystick.



2 Direction Joystick.



3 Return To Home(RTH)



Smart RTH: Press this button, the drone will return to the Point which you set as TAKE OFF, and hover at an altitude which you set in the app.

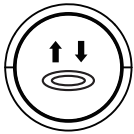
(This function only can work in GPS mode)

4 Power Button.



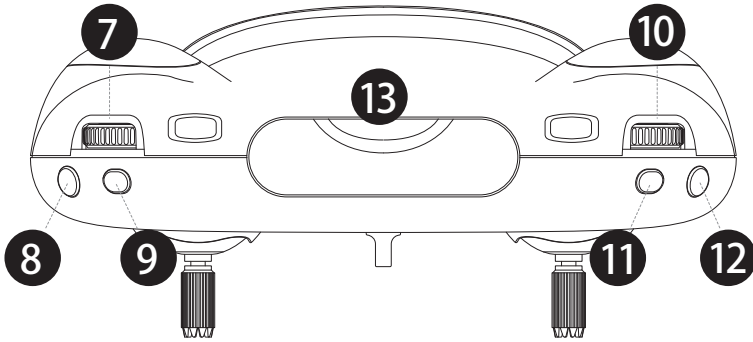
Press the Power Button shortly to turn on;
Hold the Power Button 2 seconds to turn off.

5 One Button Take-off, One Button Landing, **Hold 2 secs for EMERGENCY STOP.**




6 Micro USB Charging port.

Charge the Transmitter when transmitter's battery level is low. Connect the USB port to computer or smartphone adapter with OUTPUT: DC 5V \pm 1A



7. Dial to the right to accelerate; Dial to the left to decelerate.

8. Click  to enter Follow-me mode; Click again to cancel the follow-me mode. (For more details, please check page21#)

Hold this button for 3 secs to enter Trim mode. Click again to cancel Trim mode.

Note: No need to trim under the GPS Mode.

9. Click  to switch headless/normal mode.

Hold the button for 3 seconds to exit the GPS MODE.

(For more details, please check page23#)

10. Gimbal Dial: Dial left/right to adjust the camera tilt up/down.

11. Click  to take photo.

12. Click  to take video; Click again to save the video .

(Don't take photo while taking video, otherwise it will disturb the Video process.)

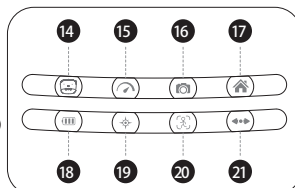
13. Phone Holder : Fits all phones up to 7.5 cm wide

14. Status LED

15. Speed

16. Photo/Video

17. RTH



18. Transmitter Battery Status

19. Headless Mode

20. Follow-me

21. Trim LED

Fly Safe

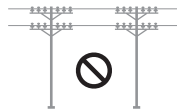
1. Fly in Open Areas: Always fly in locations that are free and clear of buildings, trees, power lines, and other obstacles.

Do not fly above or near people or animals.

2. Maintain Control at All Times: Even when using autopilot functions such as Auto-Takeoff, Auto-Landing, and Return to Home, always keep your hands on the Transmitter and maintain control of your drone when it is in flight.

3. Maintain Line of Sight: Keep your drone in sight at all times, and avoid flying behind buildings or other obstacles that may block your view.

4. Monitor Your Altitude: For the safety of full-sized drone and other air traffic, always fly at altitudes less than 400 feet (120 meters) above ground level, or in line with your local laws and regulations.



Flight

1. Download the APP



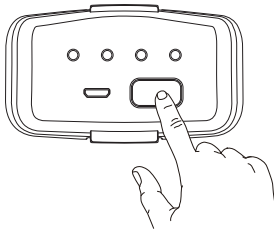
iOS



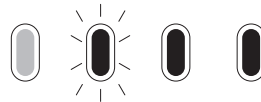
Google Play

Connect to the App Store™ or Google Play™ and download the “HS GPS PRO” application for free.

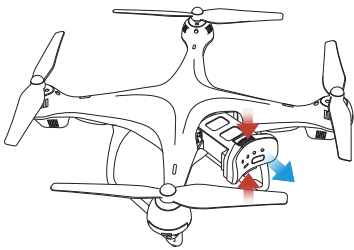
2. Check the Battery Level



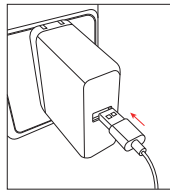
High Electricity Low



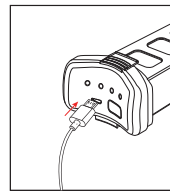
3. Charging the Battery and Transmitter



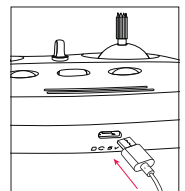
Press the buckle and Pull out the Battery from the drone.



Phone adapter:
5V \equiv 1A/2A
(Not included)



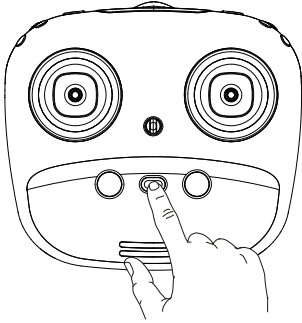
Charging time:
3 - 6 Hours
(Depending on
Charging Power)



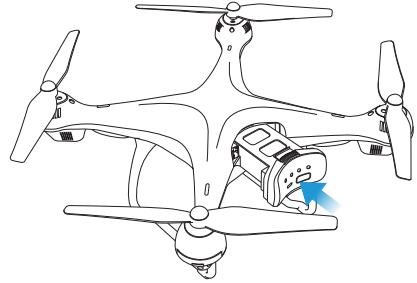
Charging time
of the transmitter:
about 1Hour

Tip: When the transmitter is in low power, the charging indicator light on the transmitter will keep flashing, you need to charge the transmitter this time.

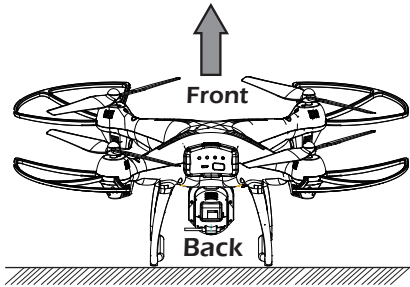
4. Prepare for Take-off



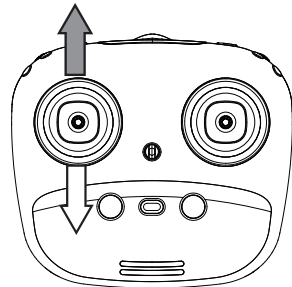
① Power on the Transmitter.



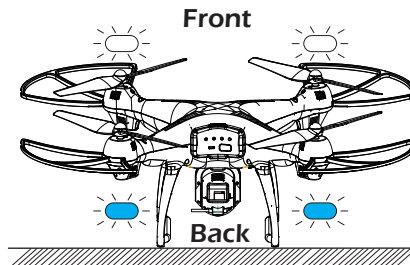
② Plug the Battery into Drone and Power on.



③ Place the Drone on an flat and dry surface and in a unobstructed and lit area



④ Push the left joystick up then down to pair with drone.



⑤ LED indicators on the drone blink Blue (Back) and White (Front) when drone was paired successfully.

5. Flight Safe to Fly (GPS)

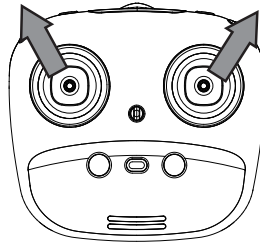
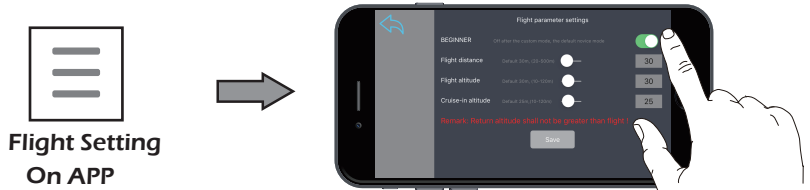
The Default GPS Mode is BEGINNER MODE, Under BEGINNER MODE:

1. Flight Distance is limited between 0-30 M/0-98.4 Feet.

2. Flight Altitude is limited between 0-30 M/0-98.4 Feet.

3. RTH Altitude is under 25 M/82 Feet.

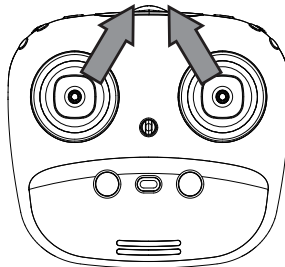
You can Turn-off the BEGINNER MODE to modify the parameters in the APP on your phone.



① Recalibrate Gyroscope

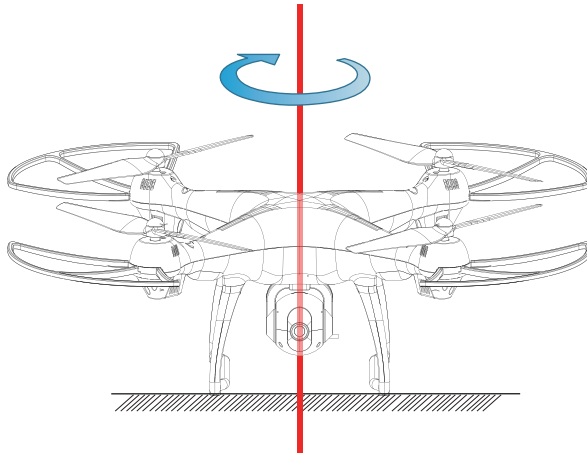
- Push the Joysticks at 11 & 1 o'clock positions as picture above.
- Lights will blink rapidly in both Blue (Back) and White (Front).
- App Drone Status: "Gyroscope is being calibrated" → "Gyroscope okay".

Note: You can also calibrate the Drone if it does not stay on course correctly.



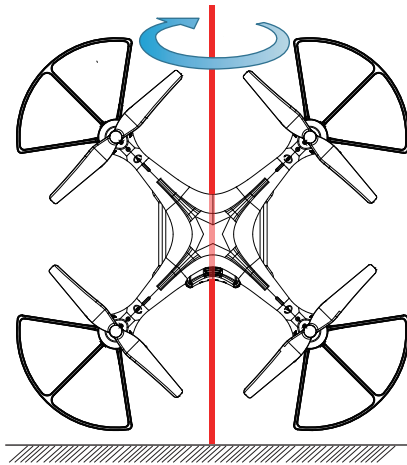
② Compass Calibration

- Push Joysticks at 1 & 11 o'clock positions as picture above.
- Lights rapidly alter between Blue/Red (back) and White/Red (front).
- App Drone Status: "Compass calibration".



Compass Calibration Part 1

—Hold the drone horizontally; Rotate the drone 360° on its center axis until the Back LED Flight Indicators switch to solid Purple.

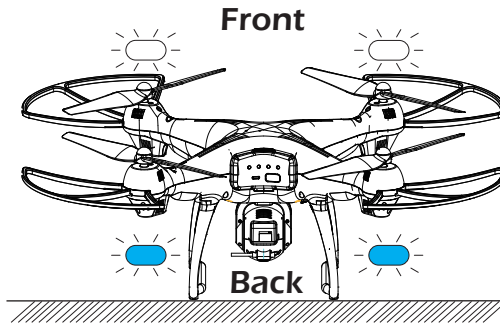


Compass Calibration Part 2

—Hold the drone vertically and battery point to sky; rotate the drone 360° on its center axis until the Front LED Flight Indicators turn to solid White.

Compass only need to calibrating when you first fly the drone at new area.

ATTENTION: If the LED Flight Indicators keep blinking instead of turning solid, it indicates the process FAILED. You must start over and repeat the previous steps until the process is successful.



③ **GPS Searching (DO NOT use GPS Mode indoor)**

- Place the Drone on a flat and dry surface and in an unobstructed and lit area.
- LED Flight Indicators return to Blink Blue (Back) and White (Front). This meaning the drone is Seaching the GPS Signal.

This process can take a few minutes. App Drone Status: “Waiting for GPS signal”.

Once the lights have turned to all solid, GPS Mode is Ready(Drone can only be able to take off when it connects to GPS sucessfully).

- Blue (back) and white (front) lights are all solid (no blinking).
- App Drone Status: “Ready to fly”.

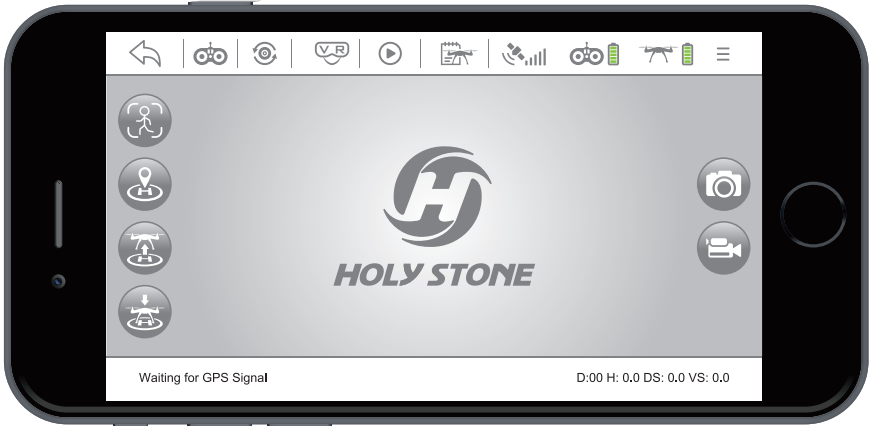
Please hold  button for 3 seconds to exit the GPS MODE when fly this drone indoor.

④ **Using the Application**

Connect your smart phone to the Wi-Fi of Drone(Take this step when you finish pairing the drone) and check the drone’s status on the “HS GPS PRO” App.

1. Power on the Drone.
2. On your smartphone, launch a search of the available Wi-Fi networks:
 - if you are using an iPhone or an iPad, select Settings>Wi-Fi;
 - if you are using an Android smartphone, select Settings > Wireless and networks >Wi-Fi.
3. Select the Wi-Fi network: **HolyStoneFPV_xxxxxx**
4. Wait for your smartphone to connecting to the Wi-Fi network of the drone. This connection is generally represented by the Wi-Fi logo appearing on the smartphone screen.
5. Enter the **HS GPS PRO** application.
 - > The connection between your smartphone and the Drone is established automatically.

APP Functions



 Back to Main Menu

 Controls ON/OFF

 Flip Screen

 GPS Signal

 Transmitter Battery

 VR Split Screen

 Media Gallery

 Flight Record

 Flight Setting

 Drone Battery

 Follow Me

 Return Home

 Auto Take-off

 Auto Land

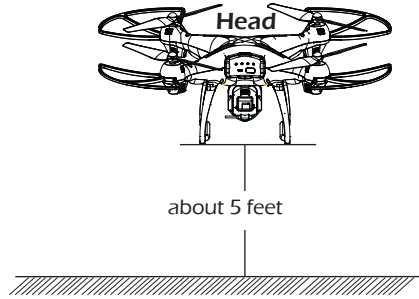
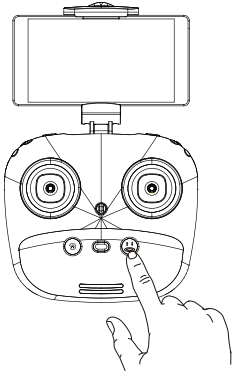
 Take Photo


 Take Video

Speed(Meter/Sec.)
 D:00 H: 0.0 DS: 0.0 VS: 0.0
 Height (Meters)
 Distance (Meters)


Waiting for GPS Signal
 Drone Status

Take-off/Landing/Emergency Stop



Rotating propellers can be dangerous. Do not start the motors when there are people nearby. Press , the propellers will spin and the drone will take off at an altitude of about 5 feet. *(Always keep the head of drone facing forward).*

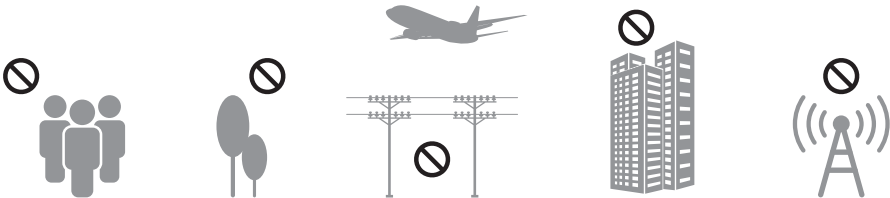


Press , the drone will land automatically. Remember to always keep your hands on the transmitter as long as the motor is still spinning.

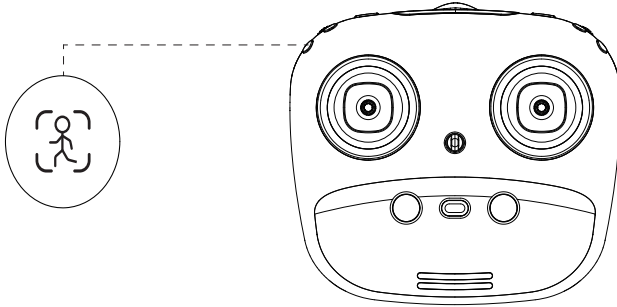


Hold  2 secs for EMERGENCY STOP.

Only stop motors mid-flight in emergency when doing so can reduce the risk of damage or injury.





Follow Me



When the Follow Me function is active, the drone will follow to the GPS in your smartphone to follow you wherever you go.

Follow Me Mode:



1. Set drone at least 10 feet high and 100 feet distance position.
2. Click the  on the transmitter or app interface .
3. Wait for the HS GPS PRO app Drone Status to display “Follow Me ready” — the drone will now follow the phone’s coordinates.
4. To exit Follow Me mode, simply click the  on the transmitter or app interface again.

Common Issues :

Follow Me mode would be hardly activated If phone’s GPS signal is too weak, This could be due to the signal loss from surrounding buildings, trees, or congestion from too many mobile phones in the area.

* Use in open area and be mindful of your surroundings. Drone is NOT equipped with obstacle avoidance.

Trim under NO GPS Mode

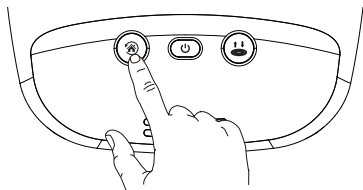
If the drone flies under NO GPS Mode, you can trim the drone to obtain more balanced flight. Press  for 3 seconds, and you will enter the trim mode. Push the direction stick to the opposite side that the drone drifts to rebalance the drone. For example, if the drone drifts to the left, push the direction stick to the right to make the drone balanced. Press  again to exit the Trim Mode.

Return-to-Home (RTH)

The Return to Home (RTH) function brings the drone back to the last recorded Home Point. There are three types of RTH:

Smart RTH / Low-Battery RTH / Failsafe RTH.

1. Smart Return To Home



RTH Button



The app's RTH Button

Press the Return to Home Button on your Transmitter or tap on the App of your smart phone, and the transmitter will start beeping. Your drone will return to the TAKE OFF Point. Press the button again to stop RTH procedure. Pull the throttle down to land the drone on a safe area.

2. Low-Battery RTH

Low-Battery RTH is triggered when the Flight Battery level is low, When Low-Battery RTH is activated, the drone will fly back to where away from you about 100 feet, and you can still control your drone. Pull the throttle down to land the drone in a safe area. When the power of drone is completely empty, drone will return to the TAKE OFF point where you set.

3. Failsafe RTH

Drone will enter Return to Home Mode if the signal to the transmitter is lost. Rebind the transmitter to the drone if drone flies back into your view. Pull the throttle down to land the drone at safe area.

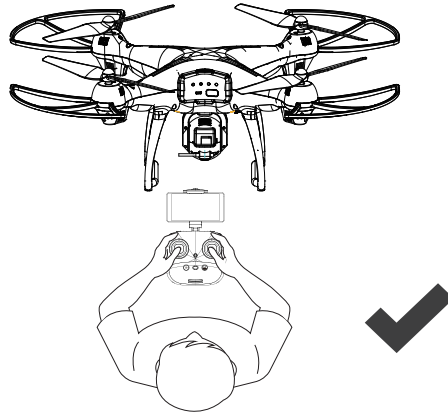


WARNING:

This drone is NOT equipped with obstacle-avoidance.

Headless Mode

Press the  on the transmitter to enter Headless Mode.
Hold the  on the transmitter for 3 secs to exit GPS MODE.



The direction of control when the drone is paired.



Don't turn your direction.



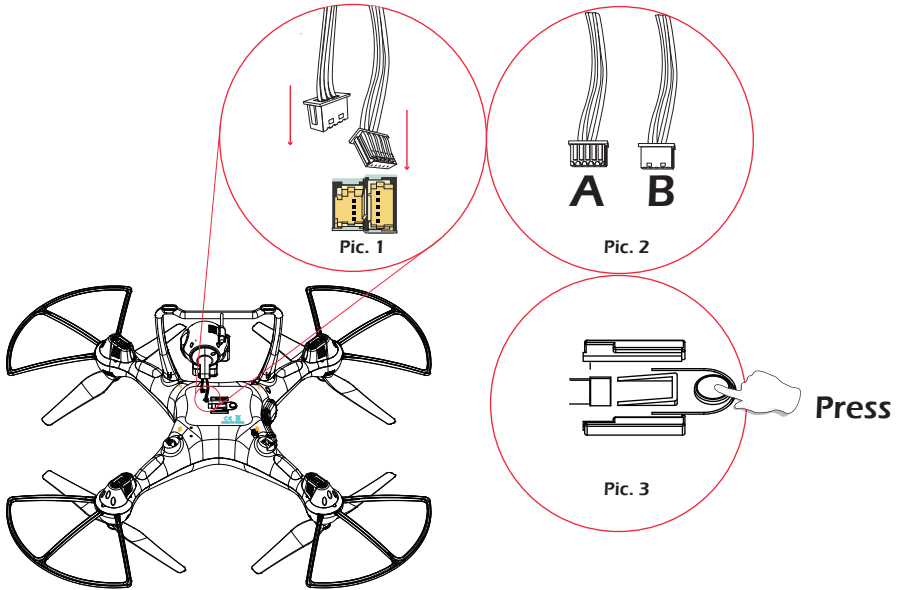
Don't turn your direction.

Under Headless Mode, the forward direction is the direction the pilot faces where the pilot pairs the drone with the transmitter. If the pilot pushes the direction joystick forward the drone will fly forward. If the pilot pushes the direction joystick backward, the drone will flight towards him/her. If the pilot moves the right stick left or right, then the drone will also move left or right relative to you. It is very important that the pilot does not change positions or the direction he or she is facing because this will cause confusion on the drone.

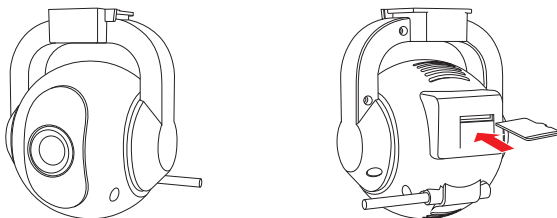
Press the  again to exit Headless Mode.

Assemble the Camera

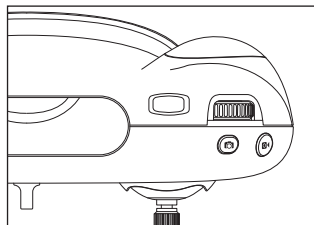
- 1) Plug the camera wires accordingly into the connection ports on the bottom of the drone. (Smaller wire connects to small port while the Bigger wire connects to big port **Pic.1**. Wire connector has two sides A/B **Pic.2**, A side of the small interface faces drone's Head and A side of Bigger interface faces drone's Tail direction.
- 2) Push the camera into the camera installation track on the bottom of the drone.
- 3) Remove camera by pressing the camera lock **pic.3** on the bottom of the drone, and push the camera out to disconnect the camera wire from the port.



- 4) Insert the TF Card into Camera port



Camera Functions







Take Photo



Take Video

ICON on APP

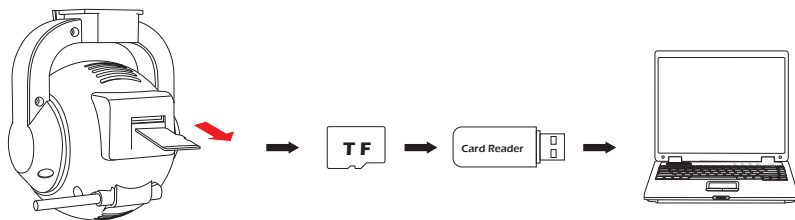
Press  on the Transmitter or tap  on APP, the red indicator on camera will flash once, indicating the camera takes one photo.

Press  on the Transmitter or tap  on APP, the red indicator will keep flashing, indicating the camera is taking video.

Press  again to save the video.

Do not take photo during taking video.

NOTE: When using the HS-GPS PRO app, the original photos and videos will be compressed and saved to smartphone.



The Original images and videos are saved in the TF card.

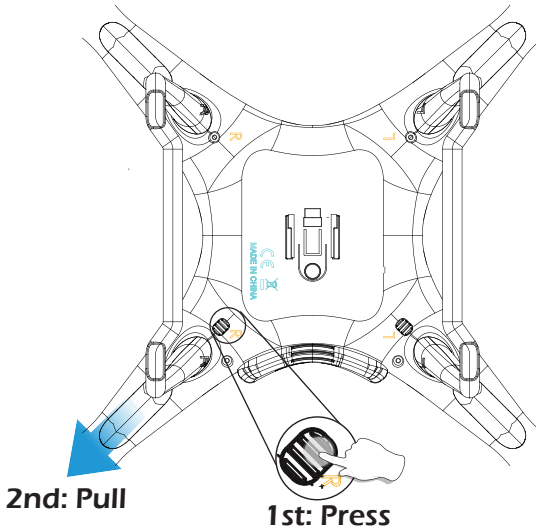
Press the TF card slightly to take it out, then insert the card into the card reader and insert into the USB outlet of a computer to read the data from TF card.

The images can be also viewed in the App.

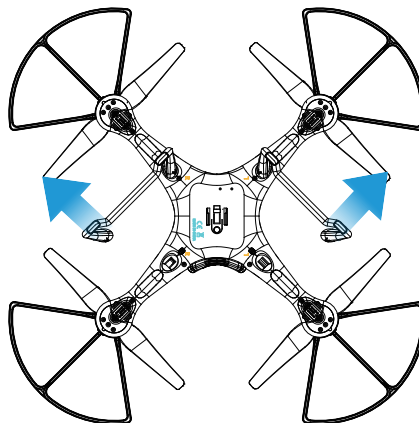
Replace the Landing Gear

1) Letter “L” and “R” is printed on each side of landing gear shell.
“L” is the mark of left landing gear as “R” is right landing gear.

2) There are two locks on the bottom; Press and hold down the lock, and pull the lock-side landing gear out.



3) Rotate landing gears outside at angle of about 90 degrees to take landing gear out.



Specifications

● Drone

MODEL: HS100

Weight (Including Battery) : 700 g / 24.7 oz

Flight Time: 12-15 minutes

WIFI Distance: 492 feet/150m (Outdoor And Unobstructed)

Motor Model: 180

Hovering: Enabled

Operating Temperature Range : 32° to 104° F (0° to 40° C)

Satellite Systems GPS / GLONASS

Dimensions: 500*500*175mm

● Gimbal

Controllable Range: Pitch: -90° to 0°

● Camera

Lens: FOV 120°/2.0

Still Photography Modes: Single shot

Video Recording Modes: HD1280*720 P

Photo: JPEG

Video: AVI

Supported SD Cards: TF Card 8GB included

Operating Temperature: 32° to 104° F (0° to 40° C)

● APP / Live View

Mobile App: HS GPS PRO

Live View Working Frequency: 2.4 GHz ISM

Live View Quality: 720P @ 20fps

Latency: Low Latency Video (depend on conditions and mobile device)

Required Operating Systems: iOS 8.0 or later / Android 4.1.2 or later

Recommended Devices: 4.7" to 5.5" Smart phones

● Transmitter

Operating Frequency: 2.4GHz

Max transmission distance: 1640 feet/500m (Outdoor And Unobstructed)

Battery: 300 mAh / Lipo

Operating Voltage: 3.7V

Mobile Device Holder: 4.7" to 5.5" Smart Phones

Operating Temperature: 32° to 104° F (0° to 40° C)

● Flight Battery

Capacity: 2500 mAh

Voltage: 7.4V

Battery Type: LiPo

Energy: 18.5Wh

Net Weight: 175 g / 6.1oz

Max Charging Power: 5-10W

Max Charging Time: 3-6 hours (Depending on Charging Power)

Charging Temperature Range: 14° to 104° F (-10° to 40° C)

● USB Cable

Voltage: 5V

Rated Power: ≤10 W

Common Problems and Solutions

| THE PROBLEMS | REASONS | SOLUTIONS |
|--|---|---|
| Drone flashes and don't respond to the transmitter during operation. | <ol style="list-style-type: none"> 1. Transmitter is not synced to the drone. 2. Insufficient battery power. | <ol style="list-style-type: none"> 1. Refer to the Manual and re-sync the drone. 2. Recharge the battery. |
| The propellers spin, but the drone cannot take-off. | <ol style="list-style-type: none"> 1. Insufficient battery power. 2. The propellers are installed in wrong orientation. 3. The propellers are distorted. | <ol style="list-style-type: none"> 1. Recharge the battery. 2. Install the propellers in right orientation. 3. Replace the propellers. |
| The drone shakes heavily. | The propellers are distorted. | Replace the propellers. |
| Drone cannot stay balanced in flight. | <ol style="list-style-type: none"> 1. The propellers are distorted. 2. The motor doesn't work properly. | <ol style="list-style-type: none"> 1. Replace the propellers. 2. Replace the motor. |
| Drone is unstable after crashing. | Three-axis acceleration sensor loses it's balance after crashing. | Restart and re-calibrate the drone. |

For more further technical support, please do not hesitate to contact us via Email or Hot Line Phone Call.



usa@holystone.com (America)
ca@holystone.com (Canada)
eu@holystone.com (Europe)
jp@holystone.com (Japan)



+1 (855) 888-6699

General Information

FCC Notice:

This device complies with Part 15 of the FCC Rules.

Operation is subject to the following two conditions:

(1) This device may not cause harmful interference.

(2) This device must accept any interference received, including interference that may cause undesired operation.

NOTE: This equipment has been tested and found to comply with the limits for a Class B digital device, pursuant to Part 15 of the FCC Rules. These limits are designed to provide reasonable protection against harmful interference in a residential installation. This equipment generates uses and can radiate radio frequency energy and, if not installed and used in accordance with the instructions, may cause harmful interference to radio communications. However, there is no guarantee that interference will not occur in a particular installation. If this equipment does cause harmful interference to radio or television reception, which can be determined by turning the equipment off and on, the user is encouraged to try to correct the interference by one or more of the following measures:

—Reorient or relocate the receiving antenna.

—Increase the separation between the equipment and receiver.

—Connect the equipment into an outlet on a circuit different from that to which the receiver is connected.

—Consult the dealer or an experienced radio/TV technician for help.

WARNING: Changes or modifications not expressly approved by the party responsible for compliance could void the user's authority to operate the equipment.

RF Exposure

The equipment complies with FCC radiation exposure limits set forth for an uncontrolled environment. This device should be installed and operated with minimum distance 20cm between the radiator & your body.

IC Notice:

This device complies with Canada Industry licence-exempt RSS standard(s). Operation is subject to the following two conditions:

- (1) this device may not cause interference; and
- (2) this device must accept any interference. Including interference that may cause undesired operation of the device.

CAN ICES-3 (B)

Avis d'Industrie Canada

Le présent appareil est conforme aux CNR d'industrie Canada applicables aux appareils radio exempts de licence. L'exploitation est autorisée aux deux conditions suivantes:

- 1) l'appareil ne doit pas produire de brouillage; et
 - 2) l'utilisateur de l'appareil doit accepter le brouillage radioélectrique subi même si le brouillage est susceptible d'en compromettre le fonctionnement.
- Le mauvais fonctionnement de l'appareil. Cet appareil numérique de la classe B est conforme à la norme NMB-003 du Canada.

CAN NMB-3 (B)

RF Exposure

Radiation Exposure Statement:

This equipment complies with IC radiation exposure limits set forth for an uncontrolled environment. This equipment should be installed and operated with minimum distance 20cm between the radiator & your body.

Déclaration d'exposition aux radiations:

Cet équipement est conforme aux limites d'exposition aux rayonnements IC établies pour un environnement non contrôlé. Cet équipement doit être installé et utilisé avec un minimum de 20 cm de distance entre la source de rayonnement et votre corps.

HOW TO RECYCLE THIS PRODUCT

This symbol on the product or its documentation indicates that it must not be disposed of with household waste.

Uncontrolled waste disposal may harm the environment or human health.

Please separate your device from other types of waste to recycle it responsibly.


This will help to foster the sustainable re-use of material resources.



We invite you to contact your retailer or inquire at your local town hall to find out where and how the drone can be recycled.

BATTERY WARNING:

- 1.Failure to follow all the instructions may result in serious injury, irreparable damage to the battery and may cause a fire, smoke or explosion.
- 2.Always check the battery's condition before charging or using it.
- 3.Replace the battery if it has been dropped, or in case of odour, overheating, discolouration, deformation or leakage.
- 4.Never use anything other than the approval LiPo charger the battery. Always use a balancing charger for LiPo cells or a LiPo cell balancer. It is recommended that you do not to use any other charger than the one provided with the product.
- 5.The battery temperature must never exceed 60°C (140°F) otherwise the battery could be damaged or ignite.
- 6.Never charger on a flammable surface, near flammable products or inside a vehicle (preferably place the battery in a non-flammable and non-conductive container).
- 7.Never leave the battery unattended during the charging process. Never disassemble or modify the housing's wiring, or puncture the cells. Always ensure that the charger output voltage corresponds to the voltage of the battery. Do not short circuit the batteries.
8. Never expose the LiPo battery to moisture or direct sunlight, or store it in a place where temperatures could exceed 60°C(car in the sun, for example).
- 9.Always keep it out of reach of children.
- 10.Improper battery use may result in a fire, explosion or other hazard.

11. Non-rechargeable batteries are not to be recharged. Rechargeable batteries are only to be charged under adult supervision.
12. Different types of batteries or new and used batteries are not to be mixed.
13. Batteries are to be inserted with the correct polarity.
14. The supply terminals are not to be short-circuited. Regular examination of transformer or battery charger for any damage to their cord, plug, enclosure and other parts and they must not be used until the damage has been repaired.
15. The packaging has to be kept since it contains important information.
16. The toy is only to be connected to Class II equipment bearing the symbol. 



FAA REGISTRATION: PLEASE FOLLOW ALL FEDERAL, STATE AND LOCAL FAA LAWS. YOU MAY BE REQUIRED TO REGISTER YOURSELF AND YOUR DRONE WITH THE FAA MORE INFO CAN BE FOUND AT: [HTTPS://WWW.FAA.GOV/UAS/GETTING STARTED/](https://www.faa.gov/uas/getting-started/)

After receiving the certificate of registration, you must mark your **unique FAA registration number** on the Drone by any means, such as permanent marker, label, engraving. This number must be readily accessible and maintained in a condition that is readable and legible upon close visual inspection

WARNING: Do **NOT** fly drone near airports or any other un-authorized areas. Follow all rules for Federal Aviation Administration (FAA) regulation summary for Small Unmanned Aircraft Systems (sUAS).

Read: Academy of Model Aeronautics (AMA) Know Before You Fly important information brochure



Made in China